

Description:

NFPA 99 compliant triplex oil-less reciprocating medical air package. Three piece stack mount system is designed (7.5 thru 15 hp) for single point connections. All systems are thoroughly tested prior to shipping. This system ships with:

- Inlet and discharge threaded flex lines
- Hard copy and CD of O&M manuals

Package Details:

Stack mounted three piece medical air system including: Three each reciprocating air cooled oil-less air compressors with air cooled aftercoolers, automatic separator drains, high temperature discharge switch, and 5.0 micron air inlet filters with connections for remote intake. Three each TEFC electric motors, ASME tank with interior corrosion resistant lining, 3 valve bypass, sight gauge, elec/auto tank drain with manual drain valve and pressure safety valve. Dual desiccant air dryers with isolation valves, pre-filters with differential indicators and auto drains, 2-stage final filters with differential indicators. Pressure regulators with oxygen cleaned gauges, CO and dew point monitors with audible/visual alarm, contacts for remote alarm and duplex NEMA 12 control panel. The package is pre-plumbed/wired for single point connections.

Reciprocating Compressor Pump:

The medical air compressors are a reciprocating, oil-less, air cooled, 2-stage design (5 HP and above). The compressor has two way cooling with a dedicated cooling fan and fan flywheel. Permanently sealed lower end bearings, PTFE piston rings and robust inter-stage cooling ensures a long lived reliable pump, and air inlet filter with a 5.0 micron replaceable element.

Electric Motor/Drive:

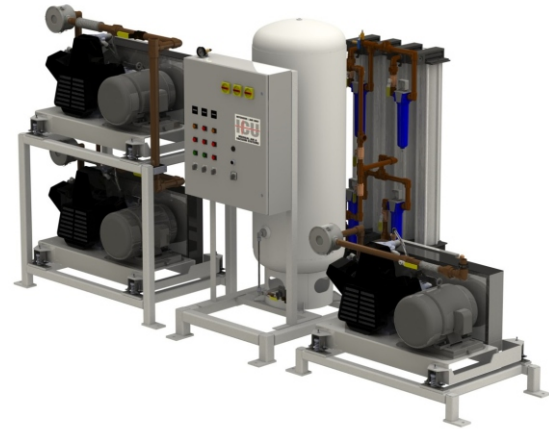
Each compressor shall be belt driven by a dedicated Premium Efficient 1,750 RPM totally enclosed, fan-cooled (TEFC) electric motor with a rigid base. Motor shall be 208-230/460 three phase with a service factor of 1.15.

Vibration Isolation:

Each pump and motor assembly shall be mounted to the base frame/tank with seismically restrained vibration isolators.

Air Receiver:

The tank shall be constructed in accordance with ASME standards and include an interior corrosion resistant lining, 3 valve bypass, sight gauge, electric/automatic solenoid tank drain with manual drain valve and pressure safety valve.



Desiccant Air Dryers with Filters & Regulators:

Duplex desiccant dryers with demand control purge saver. Each desiccant dryer is sized to meet the rated system flow capacity while maintaining pressure dew point in accordance with NFPA 99. Each dryer assembly is isolated with full port ball valves for easy isolation and maintenance. Each dryer includes: 0.01 micron pre-filters with differential indicators and auto drains, 2-stage final filters with a first stage rating of 3.0 micron, a secondary stage rating of 0.03 micron and a differential indicator. The dryers also include pressure regulators with oxygen clean gauges.

Dew Point & CO Monitors:

The air system includes digital dew point and carbon monoxide monitors. Each monitor shall include audible and visual alarms, adjustable alarm set points and dry contacts for remote alarms.

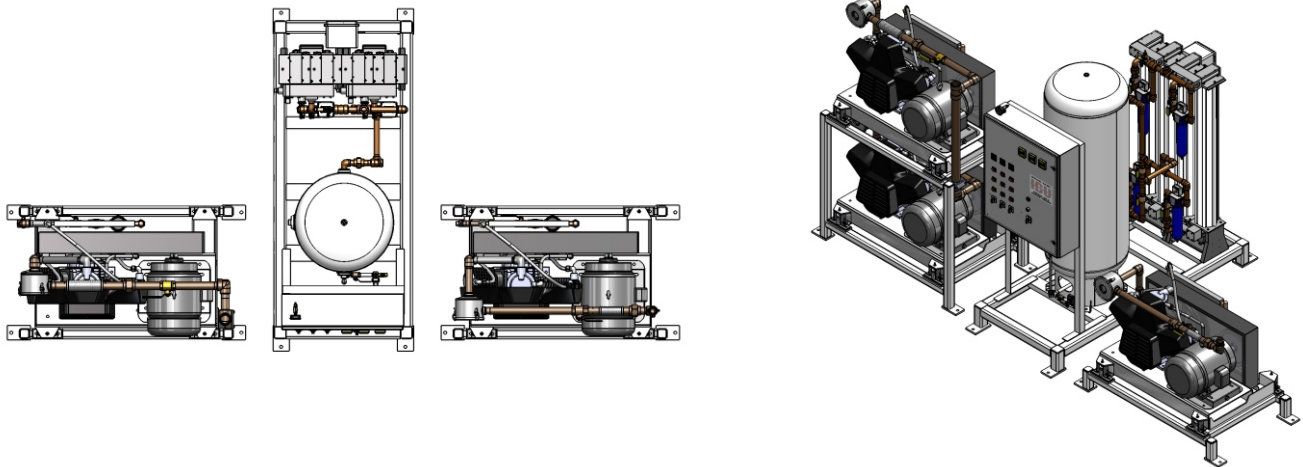
Standard Control Panel:

The system includes a triplex control panel in a NEMA 12 enclosure. The control panel is UL 508 listed and is designed to operate an NFPA99 complaint medical air system. The panel includes: individual through-the-door disconnects for each motor, motor circuit breakers, magnetic starters, adjustable motor overload protection, dual control voltage transformers, alternating circuit, hand-off-auto switches, auto/lead pump selector switch, power on light, high temperature lights, transformer failure light, compressor run lights, pressure switches and alarm contact connection points. The control panel will start up immediately after power failure and no boot-up time is required.

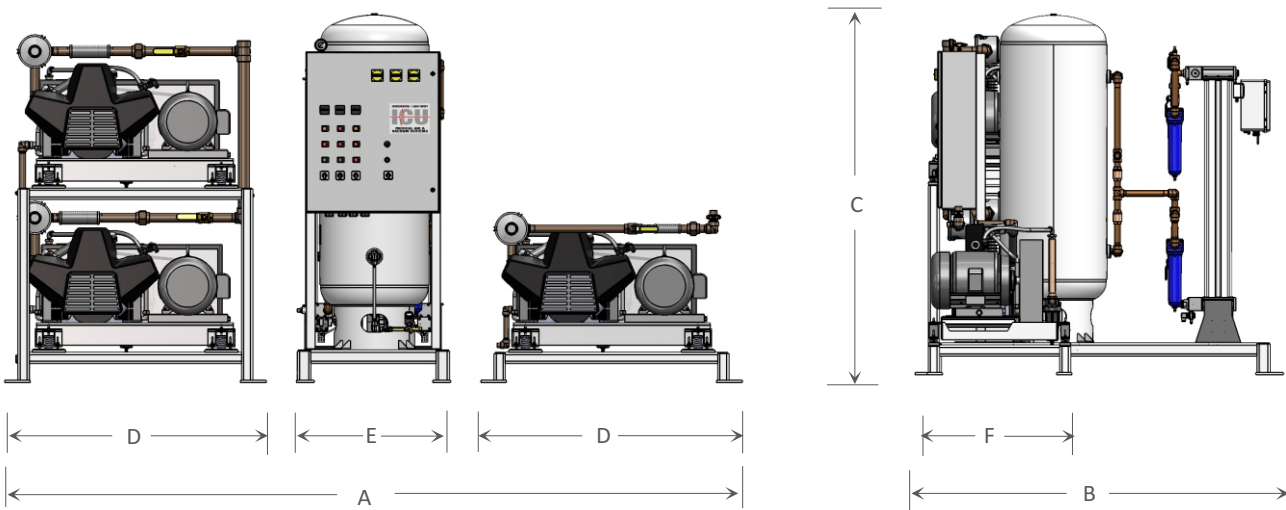
Optional:

- Touch-Screen Interface Control System (HMI/PLC) with built-in ethernet, system monitoring, maintenance alerts and multiple protocols for facility automation systems.

Oil-less Reciprocating Compressor Package - Triplex Stack Mount 7.5 - 15 HP - Desiccant



There are recommended minimum clearances for equipment maintenance and ventilation. Please contact us at 800-743-8280 for more information.



SHOWN: Triplex 15 HP, 120 gallon, vertical stack mount, standard reciprocating piston T-configuration. Shown with 10" between frames.

Model Number	Tank Gals	HP		SCFM @50 (1,2)		dB(A) ⁽³⁾ Level	System FLA			BTU HR	Dimensions						NPT In	NPT Out	Weight (LBS)
		each	pkg	each	pkg		208V	230V	460V		A	B	C	D	E	F			
A71M-TSF-4VE-D	120	7.5	30.0	29.0	87.0	78	89.6	86.4	25.2	57,264	167.0	84.0	83.0	60.0	34.5	34.5	1.0	1.0	3,075
A71M-TSF-5VE-D	200	7.5	30.0	29.0	87.0	78	89.6	86.4	25.2	57,264	167.0	84.0	88.0	60.0	34.5	34.5	1.0	1.0	3,140
A71M-TSH-4VE-D	120	10.0	40.0	36.2	108.6	78	109.6	101	50.4	76,350	167.0	84.0	83.0	60.0	34.5	34.5	1.0	1.0	3,180
A71M-TSH-5VE-D	200	10.0	40.0	36.2	108.6	78	109.6	101	50.4	76,350	167.0	84.0	88.0	60.0	34.5	34.5	1.0	1.0	3,320
A71M-TSJ-4VE-D	120	15.0	60.0	50.9	152.7	79	164.4	151	75.6	114,525	167.0	84.0	83.0	60.0	34.5	34.5	1.5	1.0	3,250
A71M-TSJ-5VE-D	200	15.0	60.0	50.9	152.7	79	164.4	151	75.6	114,525	167.0	84.0	88.0	60.0	34.5	34.5	1.5	1.0	3,375

1. Compressor data is shown with one pump in reserve. 2. Compressor capacities are shown in SCFM (Standard Cubic Feet per Minute). 3. dB(A) levels are shown as only one pump running. 4. Data is shown with equipment running at normal operating conditions with a maximum ambient temperature of 105°.